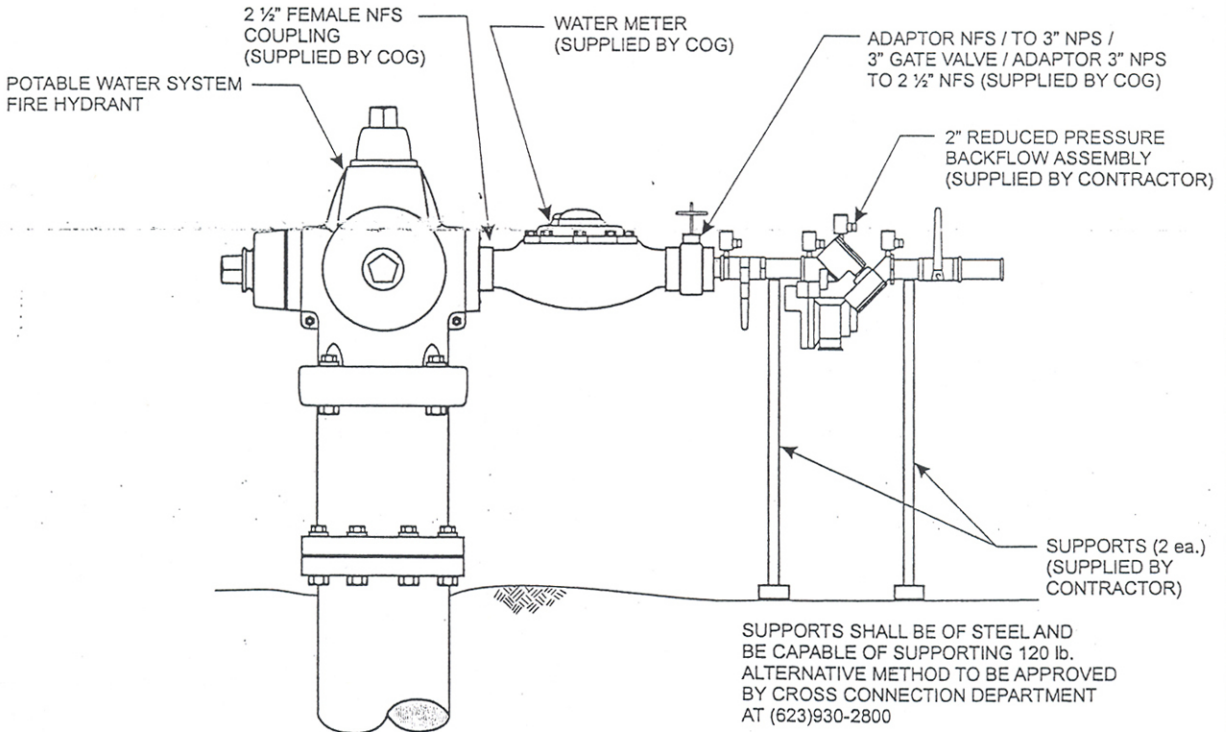


STANDARD DETAIL G-667

CITY OF GLENDALE
ENGINEERING



REDUCED PRESSURE PRINCIPLE BACKFLOW PREVENTION ASSEMBLY FOR HYDRANT METERS



GENERAL NOTES

CONTACT CITY OF GLENDALE FOR LATEST LIST OF APPROVED BACKFLOW PREVENTION ASSEMBLIES AND TESTERS.

THE CONTRACTOR MUST INSTALL A REDUCED PRESSURE PRINCIPLE BACKFLOW PREVENTION ASSEMBLY (RP) IMMEDIATELY AFTER THE HYDRANT METER IS SET.

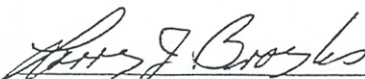
BACKFLOW ASSEMBLIES MUST BE TESTED BY A CERTIFIED TESTER PRIOR TO USE.

PRIOR TO USE AN INSPECTION BY THE CITY IS REQUIRED FOR ALL HYDRANT METER BACKFLOW PREVENTION ASSEMBLIES.

EACH TIME THE HYDRANT METER BACKFLOW PREVENTION ASSEMBLY IS RELOCATED IT MUST BE TESTED.

THE CONTRACTOR WILL BE BILLED TO REPLACE & INSTALL ANY PARTS NOT RETURNED WITH HYDRANT METER.

APPROVED BY:


CITY ENGINEER

2/26/03
DATE

REVISED: FEBRUARY 2003

PREVIOUS: